

AERATED CONCRETE CLADDING SYSTEM (ACCS) Details

For standard installation on wood stud framing AAC Build recommends the follow minimum guidelines:

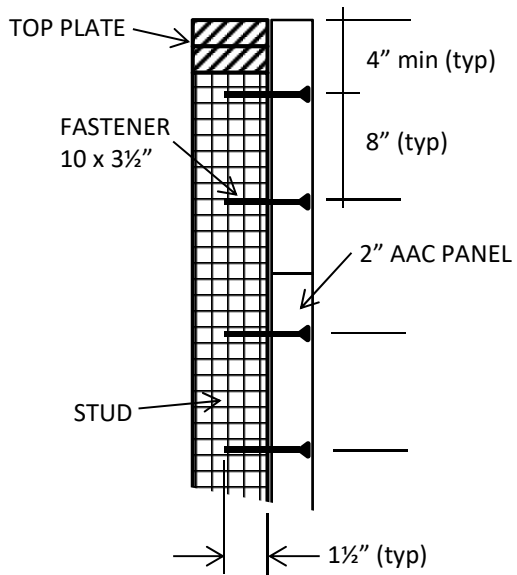
- AAC Panels shall be manufactured in accordance with ASTM C 1693 Class AAC-4
- Studs should be 16" o.c..
- Panels should be mortared to foundation and adjacent panels using compatible thin bed mortar.
- Panels should be fastened to studs from the exterior side, through the AAC panel into the underlying stud.
- Fasteners should be coated decking screws, #10 x 3½".
- Screws should penetrate framing members by 1½", and countersunk into the panel surface by ~ ⅛ - ¼".
- Screw pattern should be 3 screws per stud on 6" centers, equally spaced, leaving 4" at each outside edge. Additional screws per stud can be used for increased load capacity of the panel.

As is common for cladding systems, the Architect or Engineer of Record should make the final determination of the specific materials sizes, fasteners and construction details.

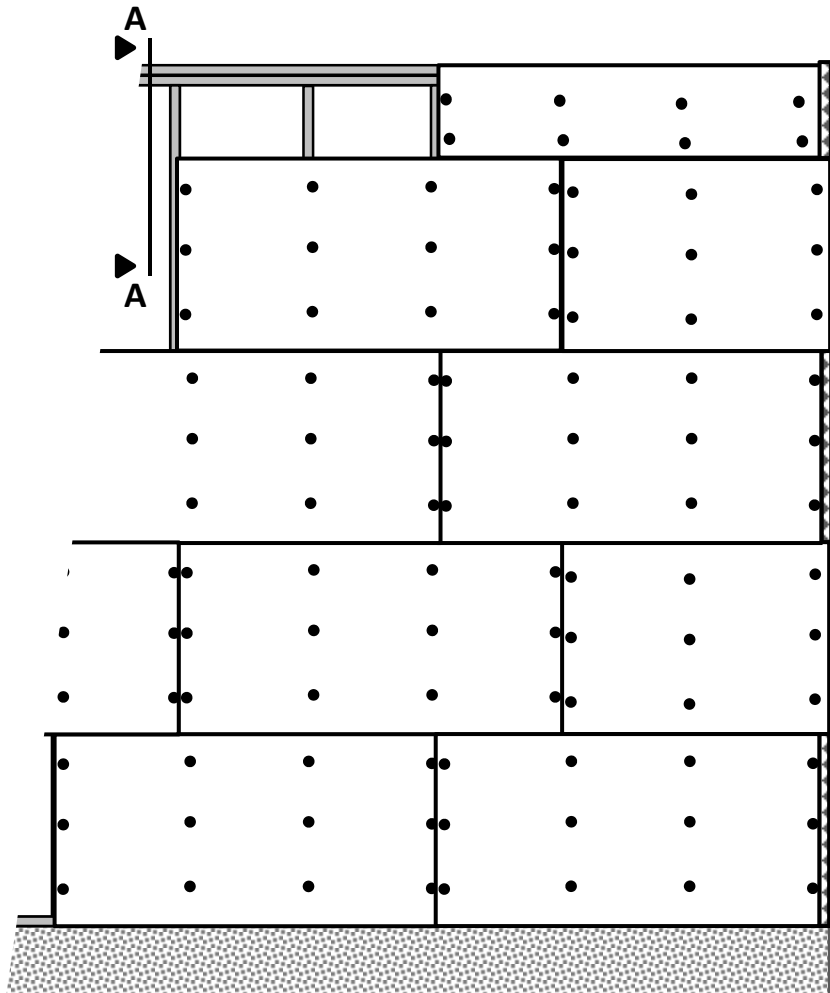
AERATED CONCRETE CLADDING SYSTEM (ACCS) Details

TYPICAL FASTENER LAYOUT

Section A-A (typ)



Install fasteners appx. 4" from outer edge of panel, then 8" o.c., into every stud. Penetrate stud by 1 1/2". Head of fastener is countersunk 1/8"-1/4" into panel.



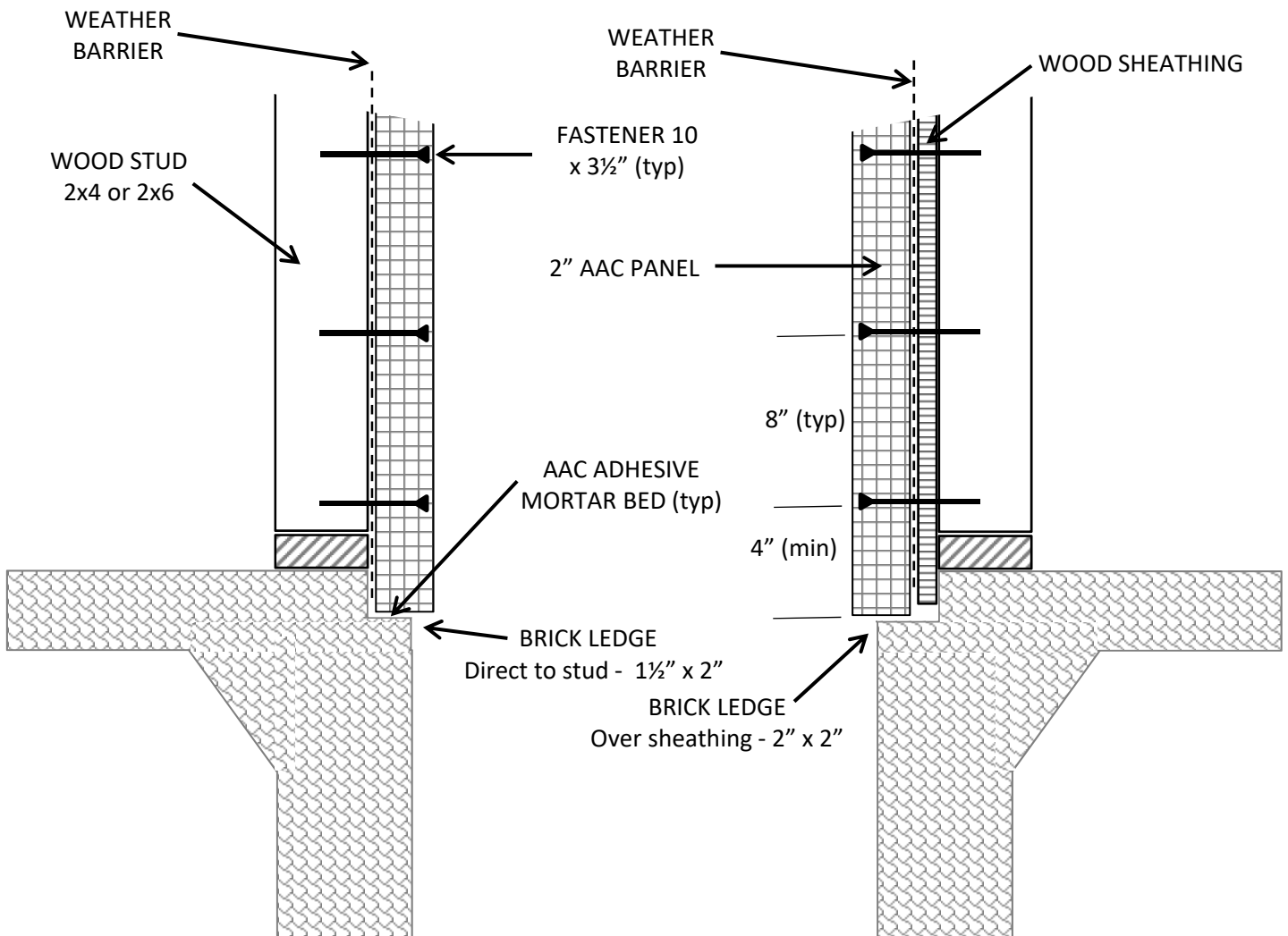
Typical wall section - 9' plate.

AERATED CONCRETE CLADDING SYSTEM (ACCS) Details

TYPICAL FOUNDATION DETAIL

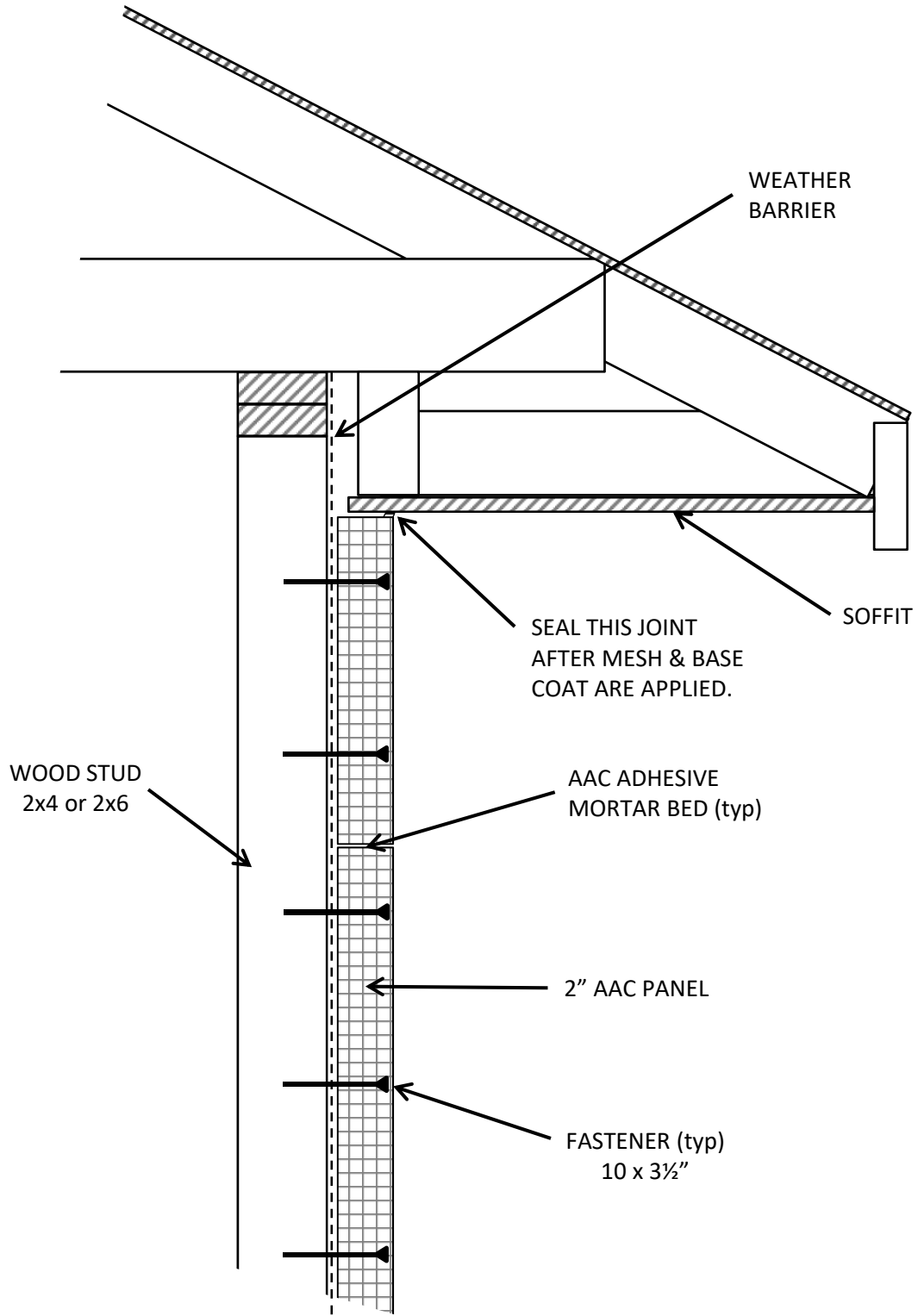
AAC installed direct to studs

AAC installed over sheathing



AERATED CONCRETE CLADDING SYSTEM (ACCS) Details

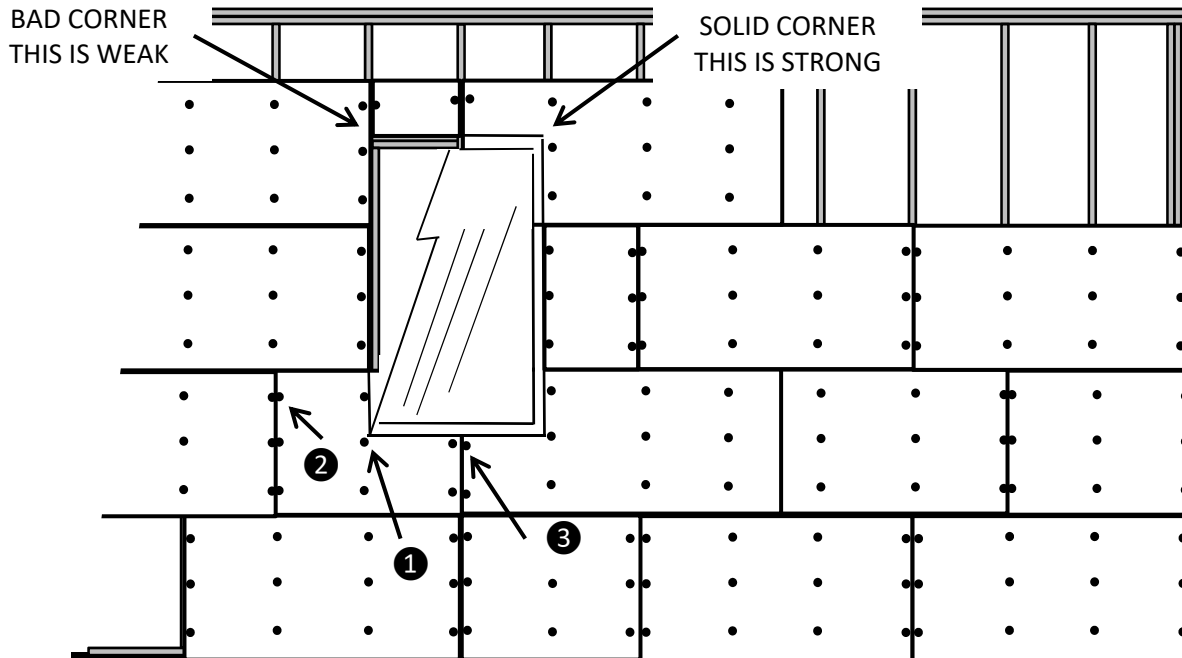
TYPICAL SOFFIT DETAIL



AERATED CONCRETE CLADDING SYSTEM (ACCS) Details

PANEL DETAIL AT WINDOWS/DOORS

Panels should not be terminated at corners of windows, and patched in to fill remaining areas. Same with door openings. Panel should be notched, as shown below, and continue on to the next stud into framing.



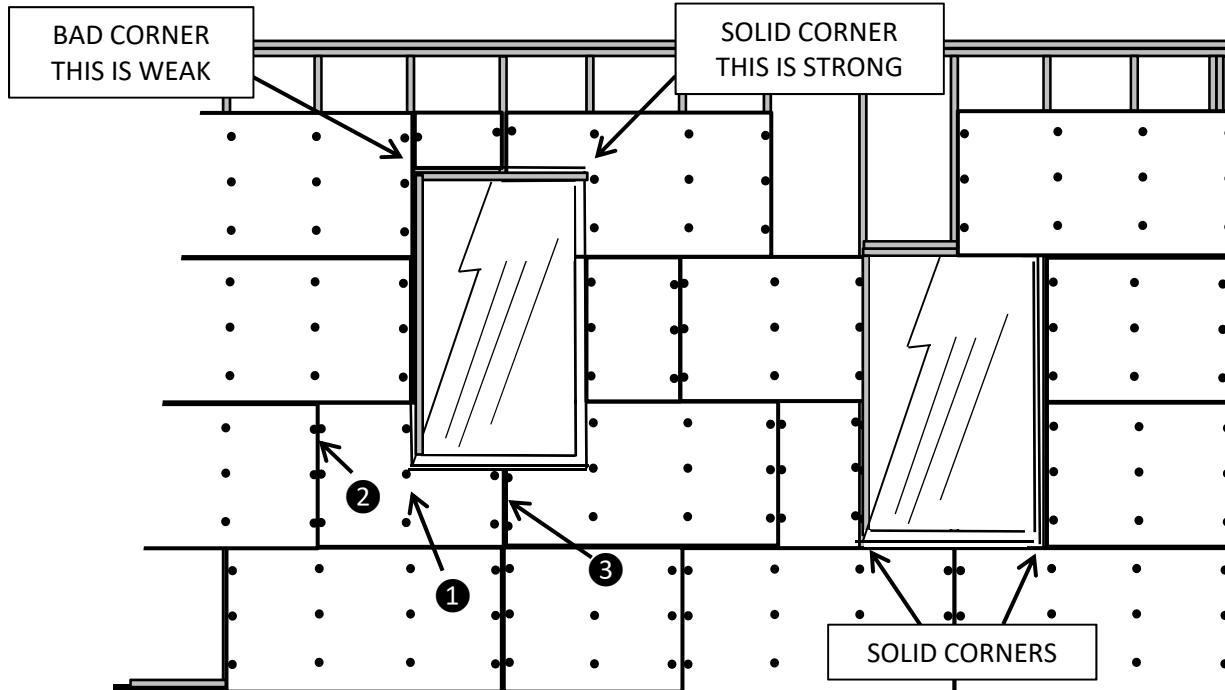
PANELS AT CORNERS MUST BE ATTACHED TO AT LEAST THREE STUDS; ONE AT THE JAMB AND ONE ON EACH SIDE OF THE JAMB.

PANEL LEGS SHOULD BE AT LEAST 4" IN WIDTH, AND HAVE MORE THAN ONE ROW OF FASTENERS. SMALLER PIECES ARE PRONE TO CRACKING.

AERATED CONCRETE CLADDING SYSTEM (ACCS) Details

PANEL DETAIL AT WINDOWS/DOORS

Panels should not be terminated at corners of windows or doors. Panels should continue through a corner and terminate at the next stud under, or over, a window or door. Panels offset from the top edge of an adjacent window or door can be notched, as shown below, and continue on to the next stud into framing.

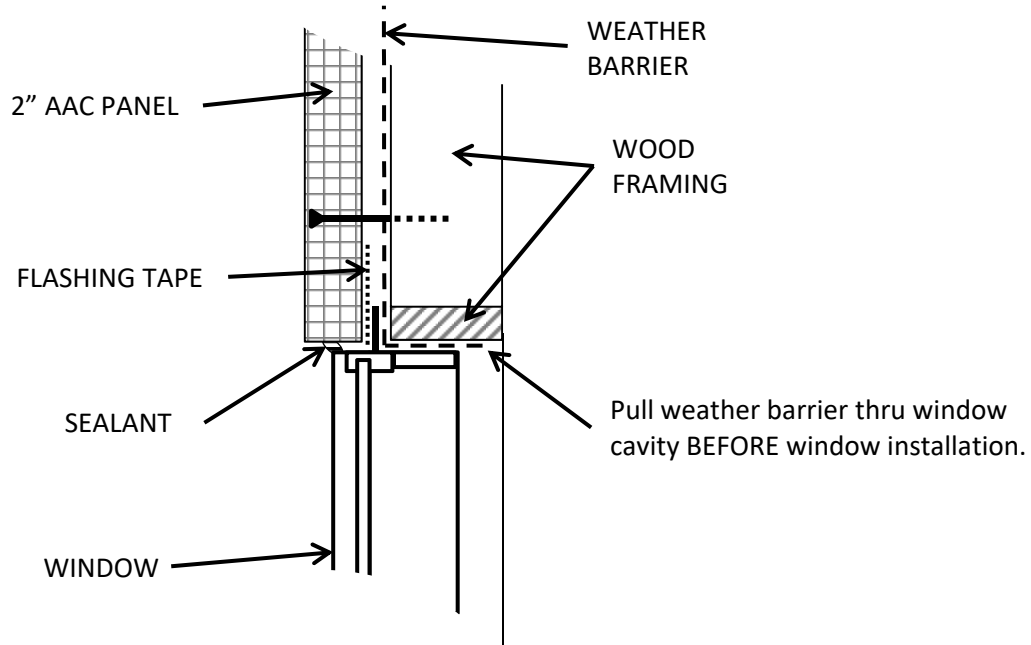


PANELS AT CORNERS MUST BE ATTACHED TO AT LEAST THREE STUDS; ONE AT THE JAMB AND ONE ON EACH SIDE OF THE JAMB.

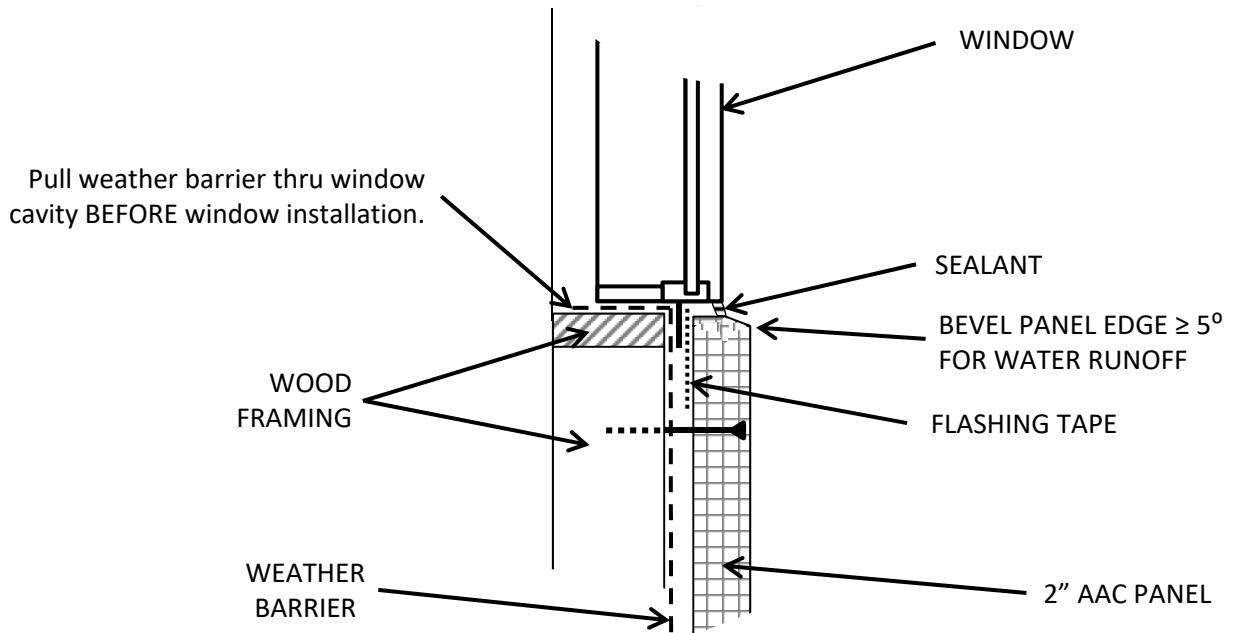
PANEL LEGS SHOULD BE AT LEAST 4" IN WIDTH, AND HAVE MORE THAN ONE ROW OF FASTENERS. SMALLER PIECES ARE PRONE TO CRACKING.

AERATED CONCRETE CLADDING SYSTEM (ACCS) Details

TYPICAL WINDOW HEAD & SILL DETAIL



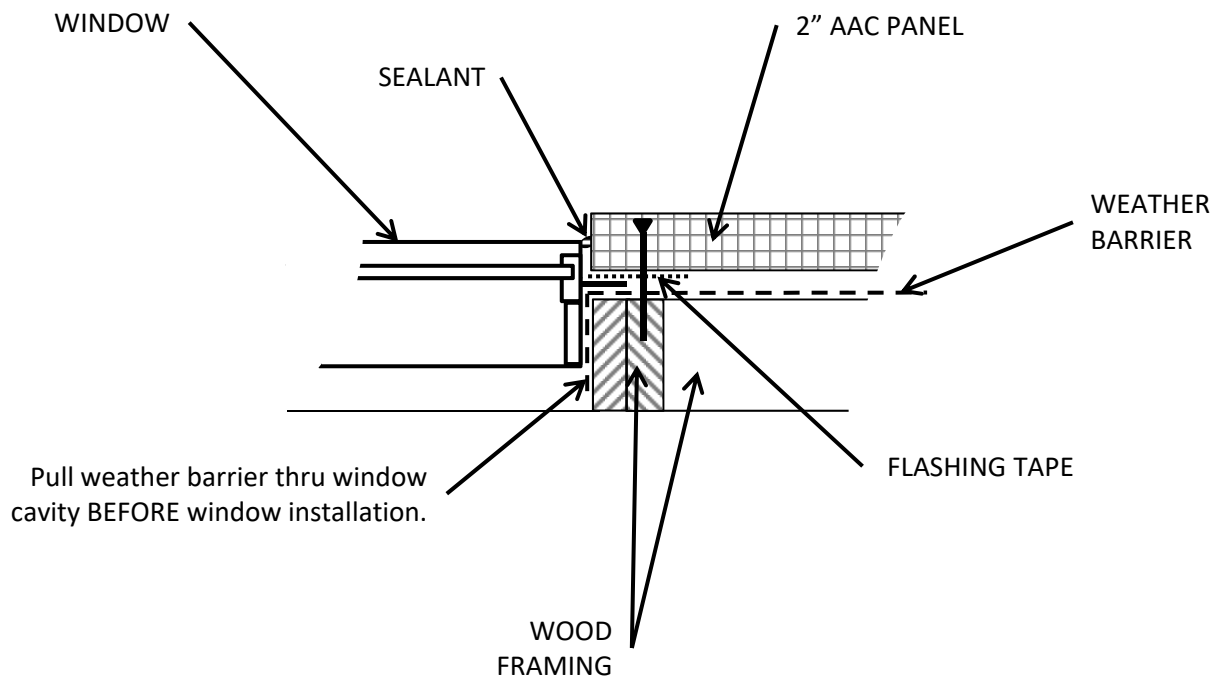
HEAD DETAIL



SILL DETAIL

AERATED CONCRETE CLADDING SYSTEM (ACCS) Details

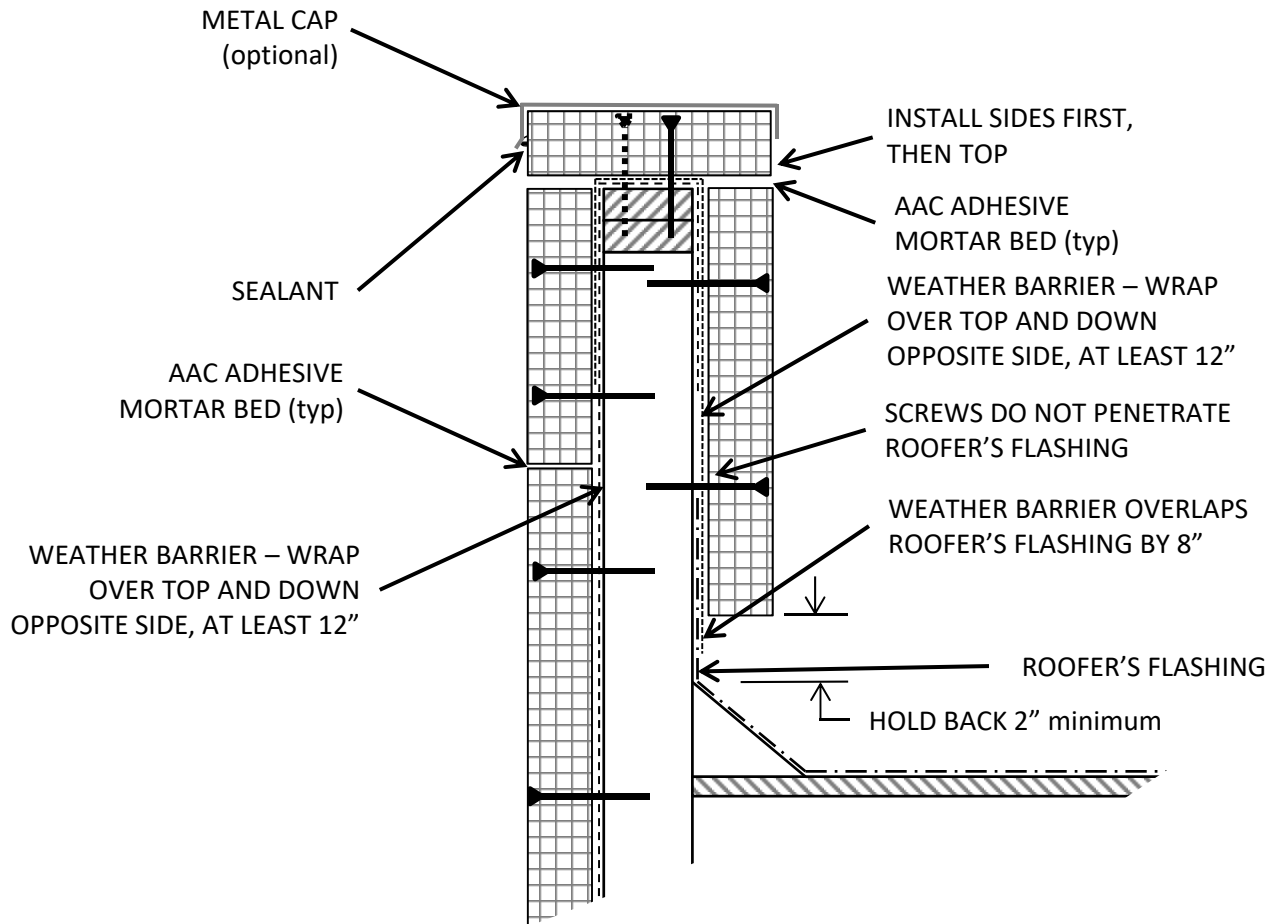
TYPICAL WINDOW JAMB DETAIL



JAMB DETAIL

AERATED CONCRETE CLADDING SYSTEM (ACCS) Details

TYPICAL PARAPET DETAIL



AERATED CONCRETE CLADDING SYSTEM (ACCS) Details

ROOFLINE DETAIL

