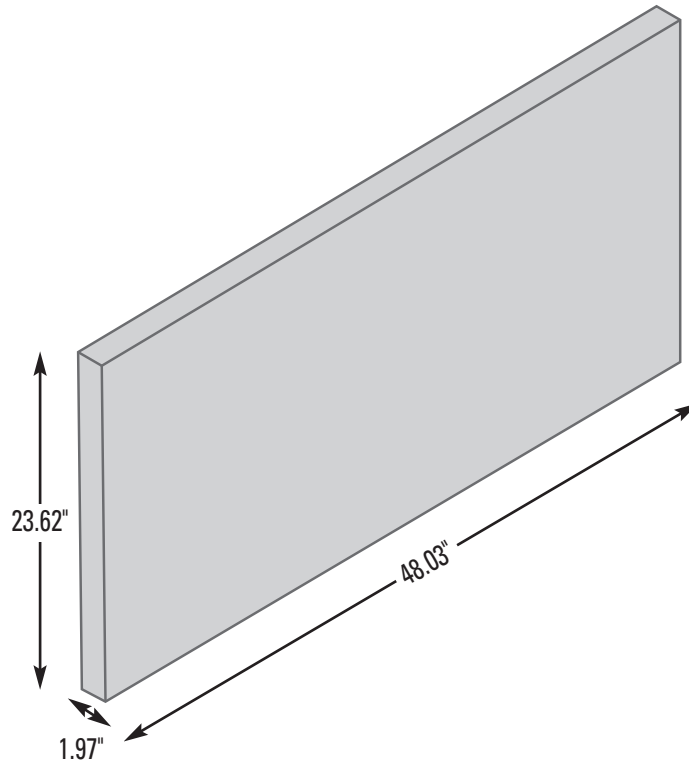




## 2" AAC PANEL PRODUCT BULLETIN



### DIMENSIONS

LENGTH	HEIGHT	WIDTH	DESIGN WEIGHT <i>(a)</i>	WEIGHT PER PIECE	AREA
48.03"	23.62"	1.97"	6.14 lbs sq ft	48.91 lbs	7.88 sq ft

*(a) based on density of product*

*All panels are AAC 4 Class – Compression Resistant = 580 psi  
Design weight = 122.88 lb/ft*