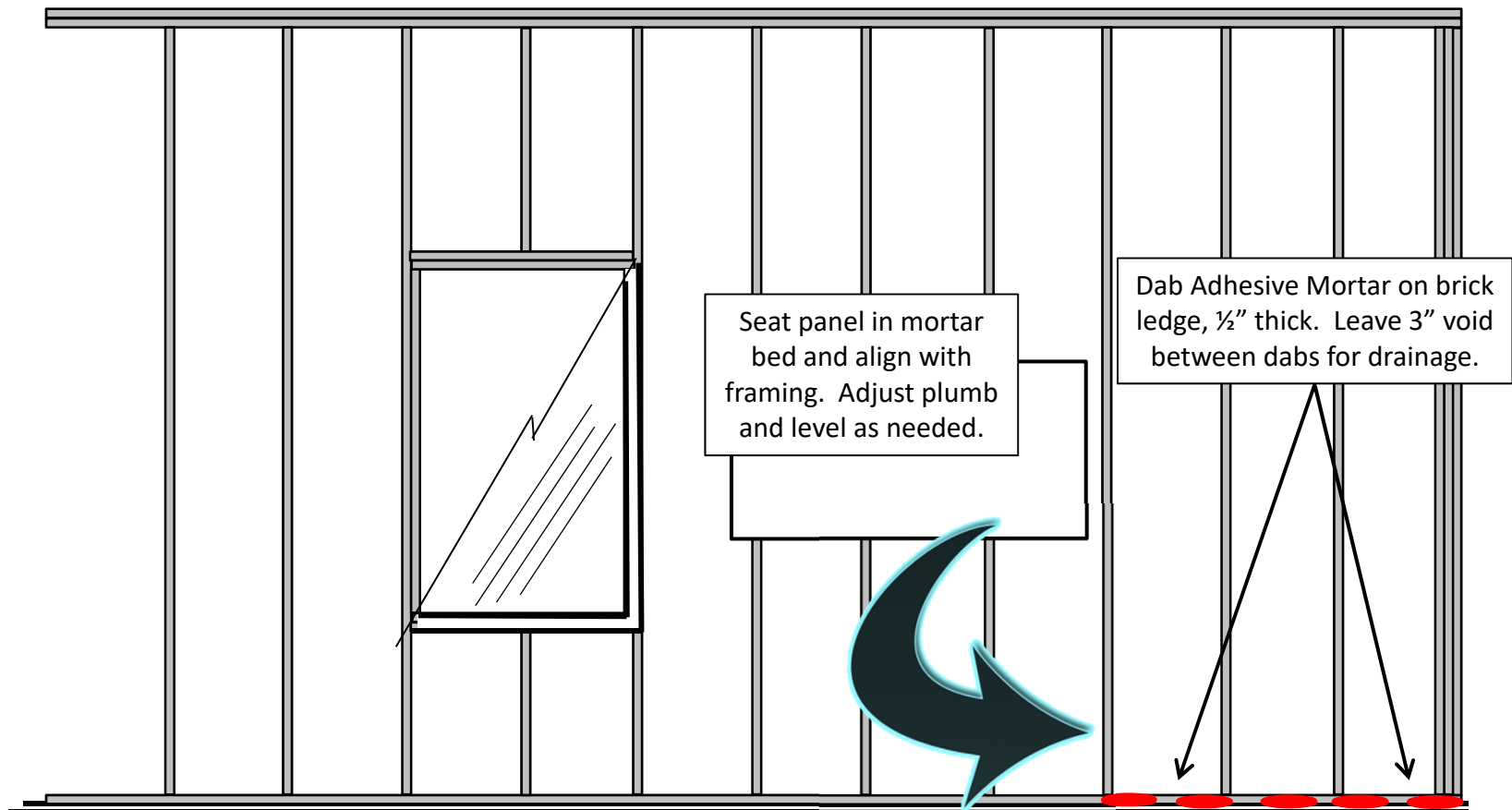


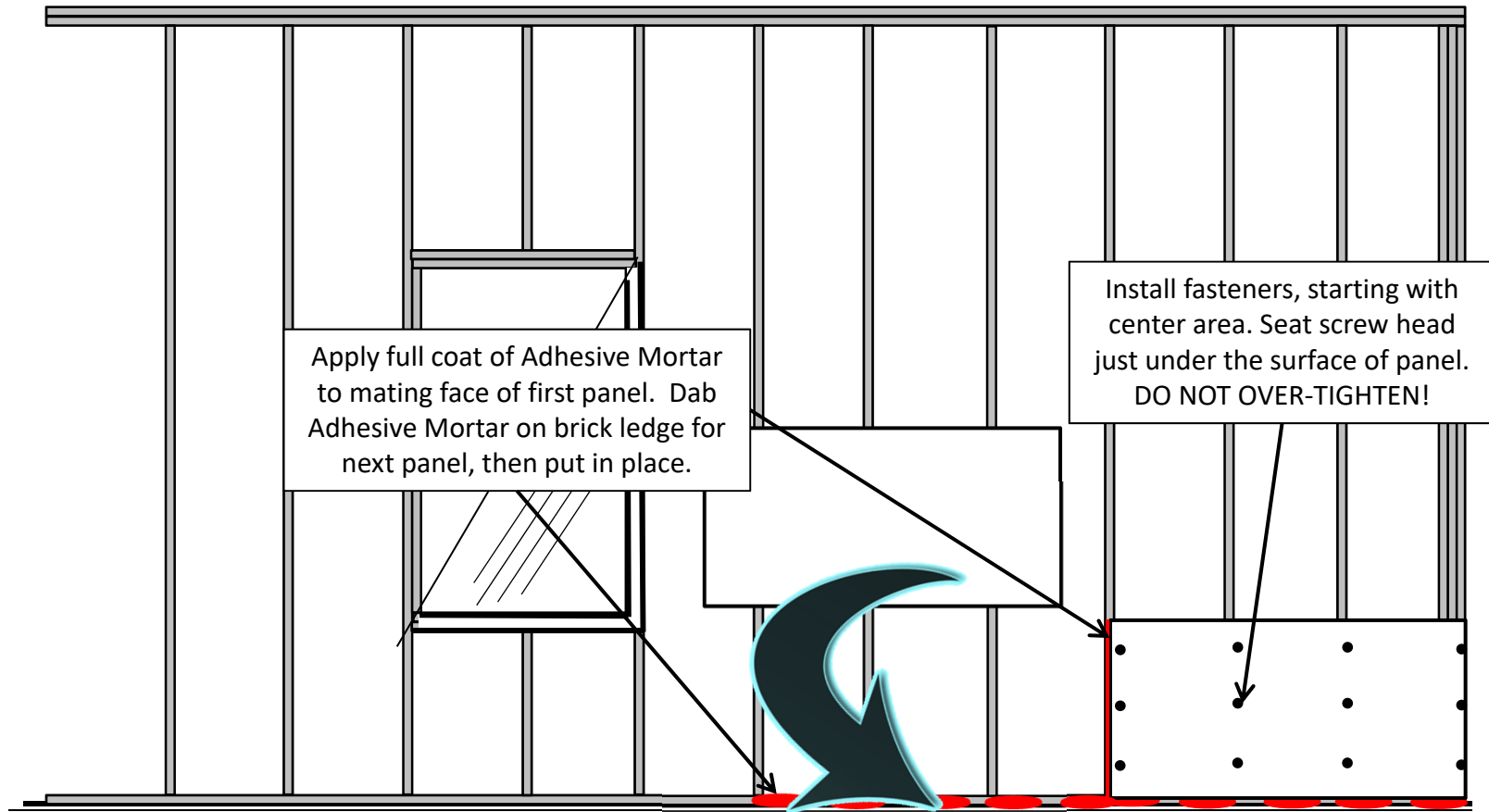
Panel Installation

Set the first panel



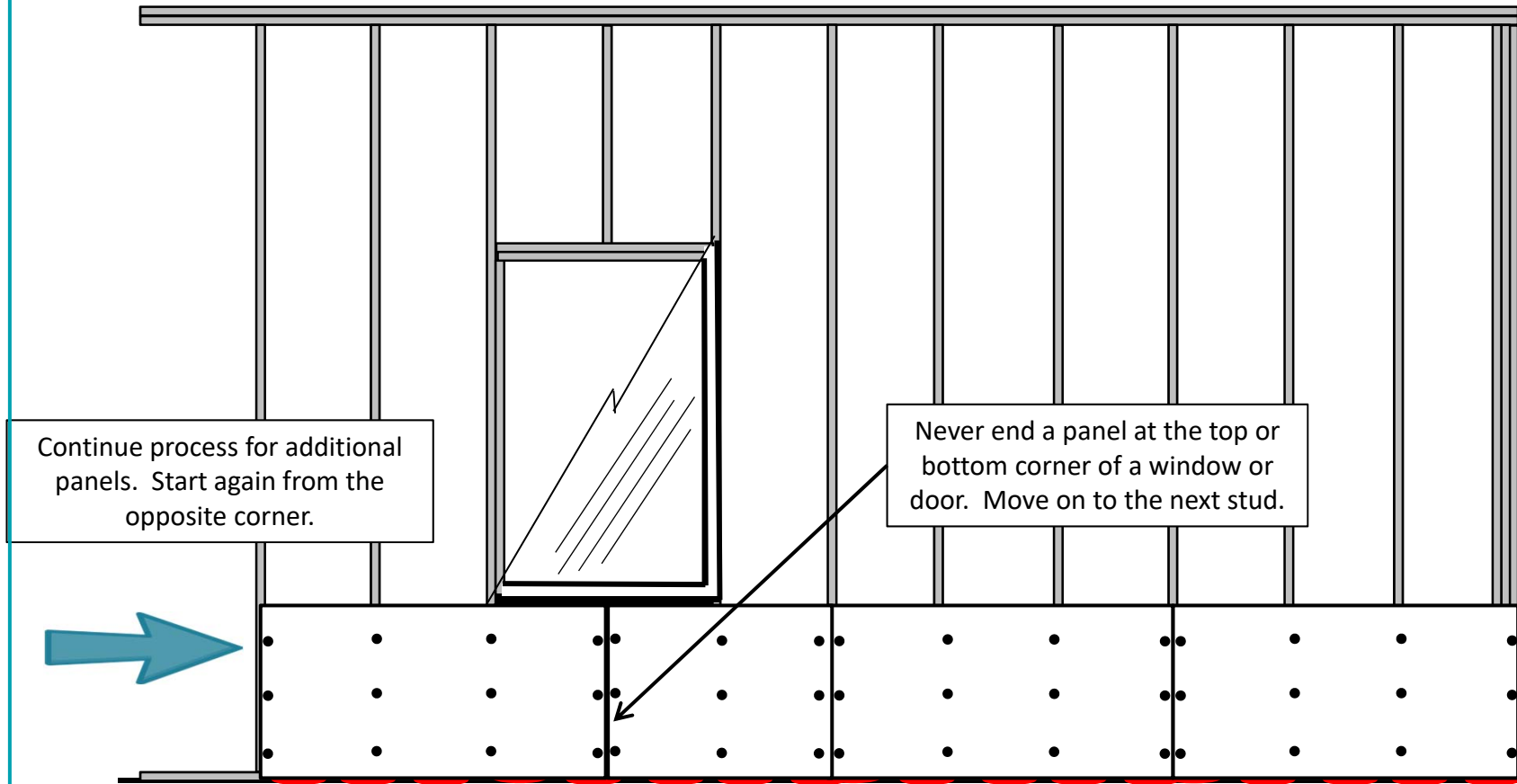
Panel Installation

Next



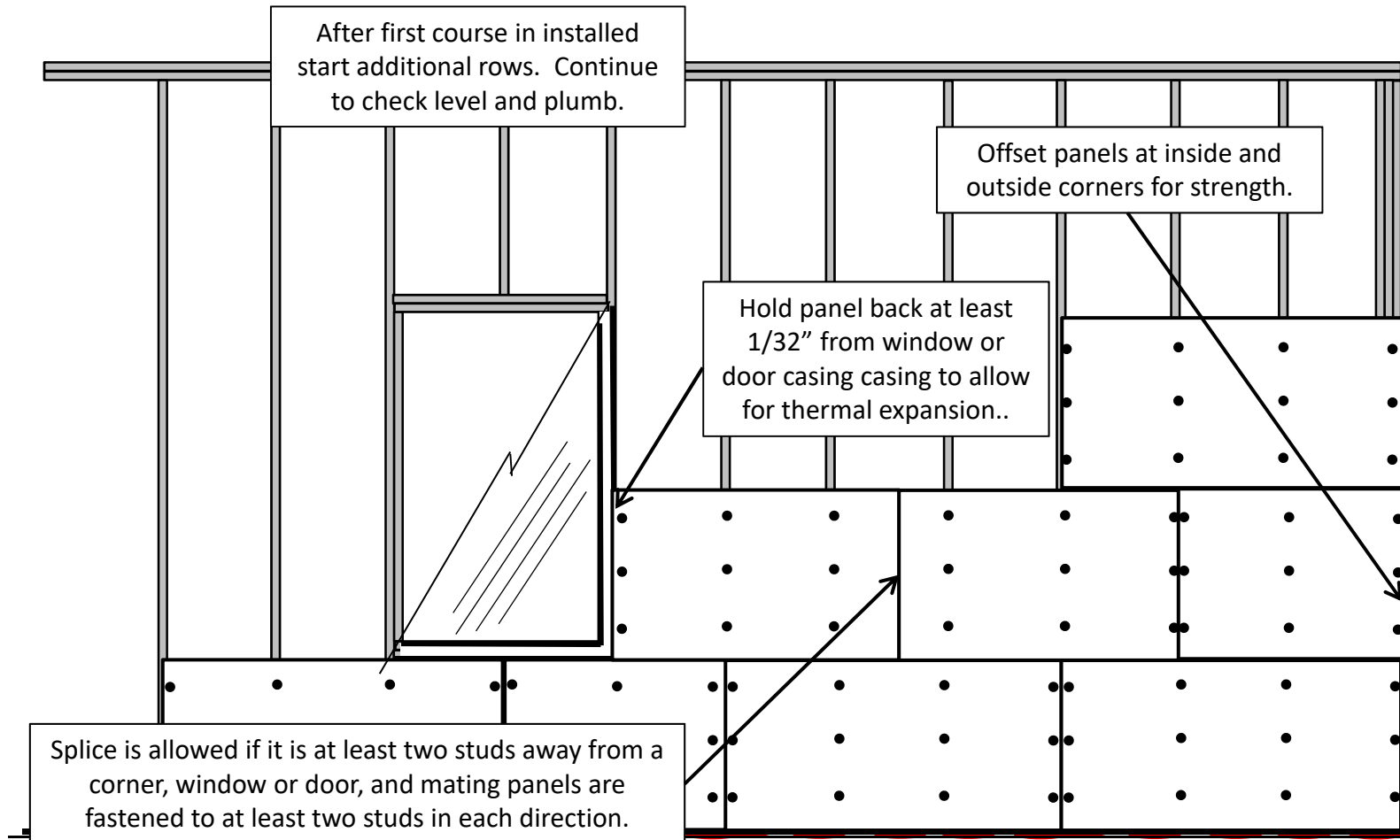
Panel Installation

Complete the first course

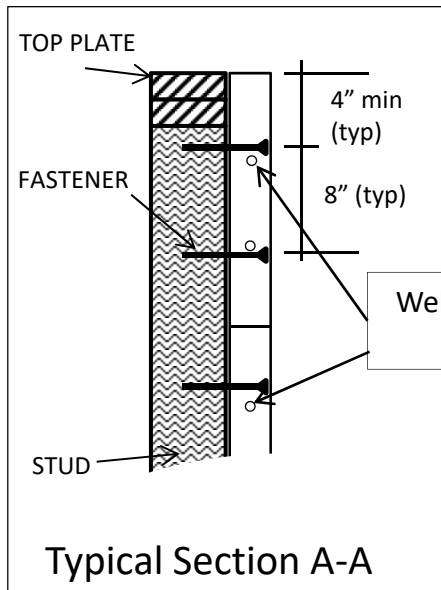


Panel Installation

Complete the wall



AAC Panel Configuration on typical wall (2 x 24 x 48 panel shown)



Install panels in running bond fashion. If installed over sheathing always overlay gaps in sheathing with panel. On corners attach across at least 3 studs (32" min). Weather barrier or optional sheathing is not shown.

Overhang by panel thickness at corners and interleave with return wall.

Welded wire frame grid inside panel

Thin Bed Mortar at all horizontal and vertical joints (1/16" typ).

Splices need not be centered over studs. Butt Joints should be staggered min. of 16" from joints on panels above and below. Do not splice within 32" of corner, window or door.

Minimum width of cut panel piece is 4".

Specified Fasteners 3 per stud (default)

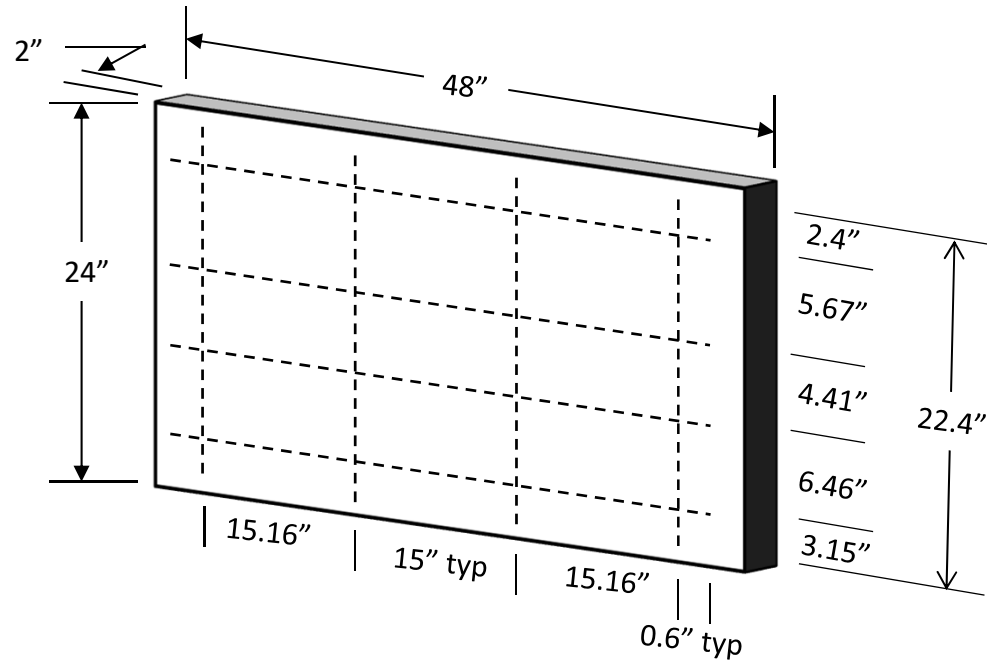
Leave ~ 1/32" gap to window casing, all sides, to allow for thermal expansion and proper installation of caulking.

Do not terminate panel at corner of penetration. Notch or continue panel to span at least 1 stud cavity in both directions past the corner (typ).



AAC Panel (2" x 24" x 48" panel shown)

ASTM C 1693 Strength Class AAC-4



Steel reinforcement is molded into each panel for added strength during shipment and handling. Reinforcement is 0.105" dia. high tensile strength steel, welded and coated.

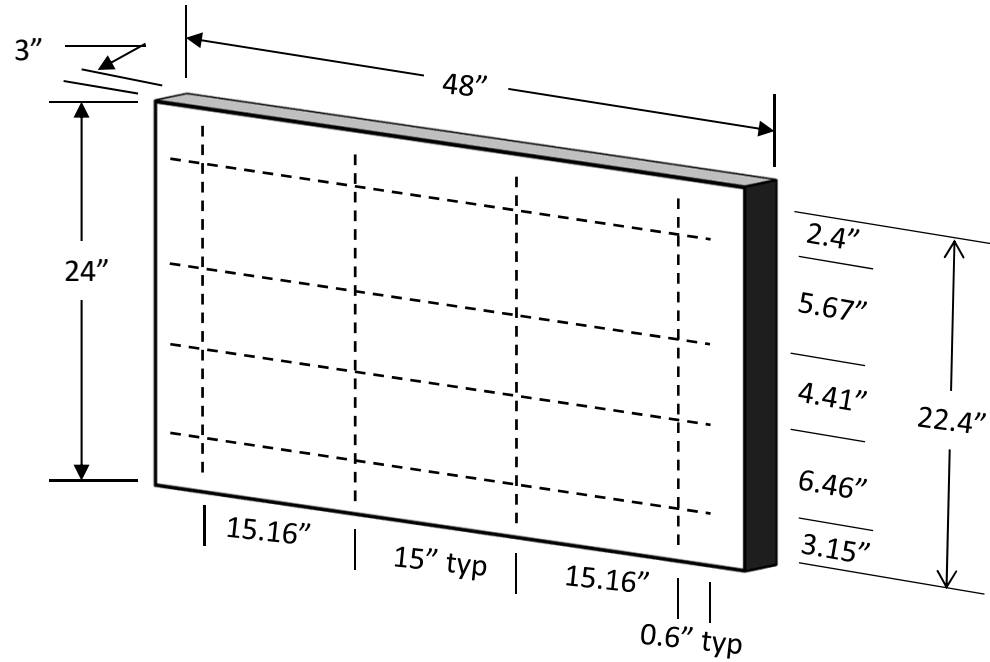
2 inch panel

Panel Length	Compression (min)	Design Weight (lb/sqft)	Weight (panel)	R-Value (panel)	Area
48"	580 psi	6.17 lbs/sqft	41.3 lbs	2.5	8 sqft
80"	580 psi	6.17 lbs/sqft	68.7 lbs	2.5	13.3 sqft
96"	580 psi	6.17 lbs/sqft	82.6 lbs	2.5	16 sqft



AAC Panel (3" x 24" x 48" panel shown)

ASTM C 1693 Strength Class AAC-4



Steel reinforcement is molded into each panel for added strength during shipment and handling. Reinforcement is 0.105" dia. high tensile strength steel, welded and coated.

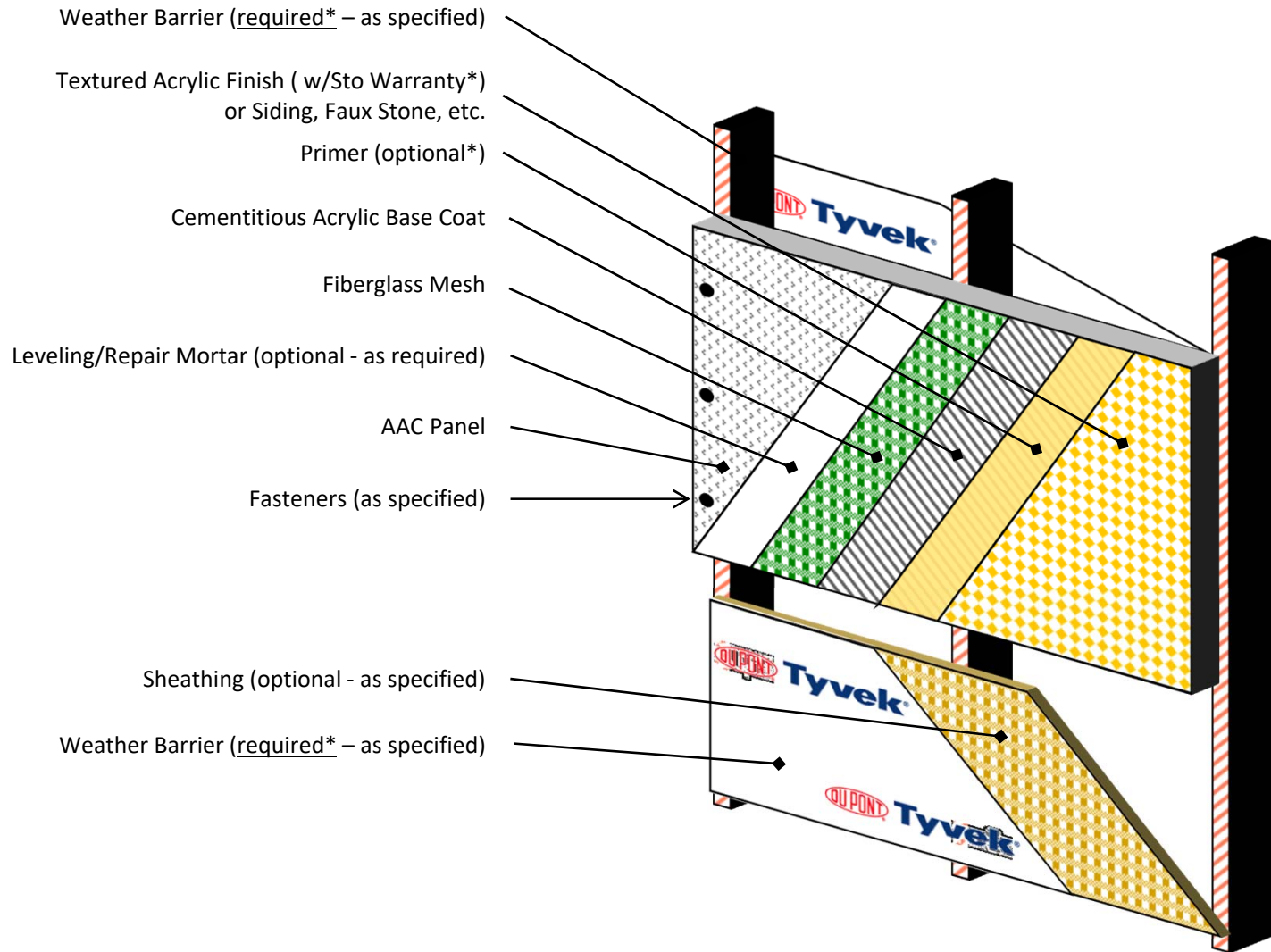
3 inch panel

Panel Length	Compression (min)	Design Weight (lb/sqft)	Weight (panel)	R-Value (panel)	Area
48"	580 psi	6.17	62 lbs	3.75	8 sqft



ACCS Materials Configuration

Aerated Concrete Cladding System



* Sto Corporation offers a 7 Year Limited Finish Warranty on fully configured ACCS system.



AAC Build LLC ♦ 2431 Corfina Mist ♦ San Antonio, TX 78260 ♦ (956) 534-0435